

WoodTrends Basic

WoodTrends Basic features a genuine wood veneered lay-in tegular edge panel designed for installation in a 15/16" or 9/16" T-grid. WoodTrends Basic is produced with a natural finish by applying 2 coats of a clear UV-polyacrylate lacquer. Custom staining is available, as well as the 24 standard and 40 custom veneers that are offered. State of the art CNC machinery produces specified perforations or slots to achieve optimum acoustical results. Where design dictates non-perforated, reflective panels are also available.



- ◆ Class A fire-rated composites available
- ◆ NRC values as high as .90
- ◆ MDF, Chipboard, or plywood substrates
- ◆ Custom edge details available for compatibility with non-standard grids
- ◆ Standard sizes 2' x 2', 2' x 4', 1' x 6'
Custom sizes available



WoodTrends Basic

Acoustical:

SOUND ABSORPTION DATA							
Frequencies (Hz)							
Perforation % of openings	125	250	500	1000	2000	4000	NRC
7.2% open	0.29	0.58	0.55	0.51	0.48	0.53	.55
18% open	0.13	0.34	1.15	1.08	0.55	0.53	.80
24% open	0.27	0.81	0.78	0.95	0.96	0.93	.90

*Acoustics is determined based upon % of opening in face of wood. Consult factory for available patterns.

Specification:

Part I General

1.1 Scope - The work consists of furnishing all material, labor and accessories necessary to install WoodTrends Acoustical Wood Systems specified herein.

1.2 Delivery and Storage - All material shall be delivered in their original unopened cartons and stored in an enclosed area providing protection from damage and exposure to the elements. Prior to installation, panels shall be acclimated for 72 hours at the temperature and humidity conditions during installation and occupancy.

Part II Material

2.1 Material

2.2 WoodTrends Acoustical Wood Systems as manufactured by Sound Seal, P.O. Box 545, Agawam, MA 01001. Phone: 800-569-1294 Fax: 413-789-4444

2.3 Panels shall be WoodTrends Basic and be 2' x 2', 2' x 4', 1' x 6' or custom_____.

2.4 WoodTrends Basic Panels shall be available in first quality select veneer from standard selection of 24 wood species plus 40 additional species available with special staining and lacquering to match architects samples.

2.5 WoodTrends Basic panels shall be constructed using fire rated components meeting or exceeding the requirements of the ASTM E-84 Class_____ (A,B,C) Flame Spread: (A) 25 or less, (B) 26 to 75, (C)76-200 Smoke Developed: 450 or less.

2.6 WoodTrends Basic panels shall have an NRC rating of _____ with perforation pattern #_____ and an open area of _____%.

2.7 WoodTrends Basic panels shall be installed by means of "drop-in" mounting on intermediate duty 9/16" or 15/16" T-grid.

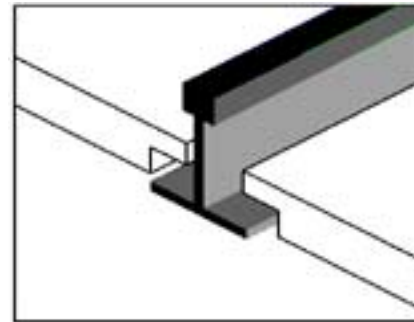
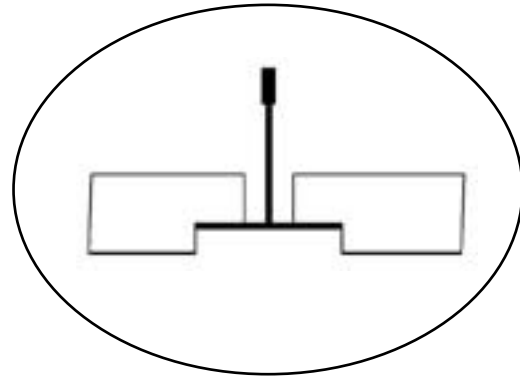
Part III Execution

3.1 Installation

3.2 WoodTrends Basic Panels shall be installed as shown on reflected ceiling plans and indicated on room finish schedule.

3.3 Panel installation shall not begin until all wet work is completed and panels have allowed to acclimate for 72 hours. The installation contractor shall have at least five years of experience in this class of work. All panels shall be properly installed and free from dirt, dust, grease, oils and fingerprints by wiping clean the surface with furniture polish.

Mounting Detail:



Veneer Selection

Afzelia	Conga Walnut
African Oak	Elm
American Oak	European Oak
Anigre	Koto
Ash	Khaya Mahogany
Beech Steamed	Maple
Beech Unsteamed	Oregon Pine
Birds-Eye Maple	Padouk
Black Walnut	Pear
Carolina Pine	Rosewood
Cedar	Sapeli Mahogany
Cherry	Teak



SOUND SEAL®

50 H.P. Almgren Drive
 Agawam, MA 01001
 TEL: 413.789.1770
 FAX: 413.789.4444
 e-mail: archsales@soundseal.com
 www.soundseal.com